



SERVICE PARTS LIST

BUL. 54-05-0225

VACUUM CLEANER

REVISED BUL.

DATE
May '76

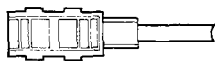
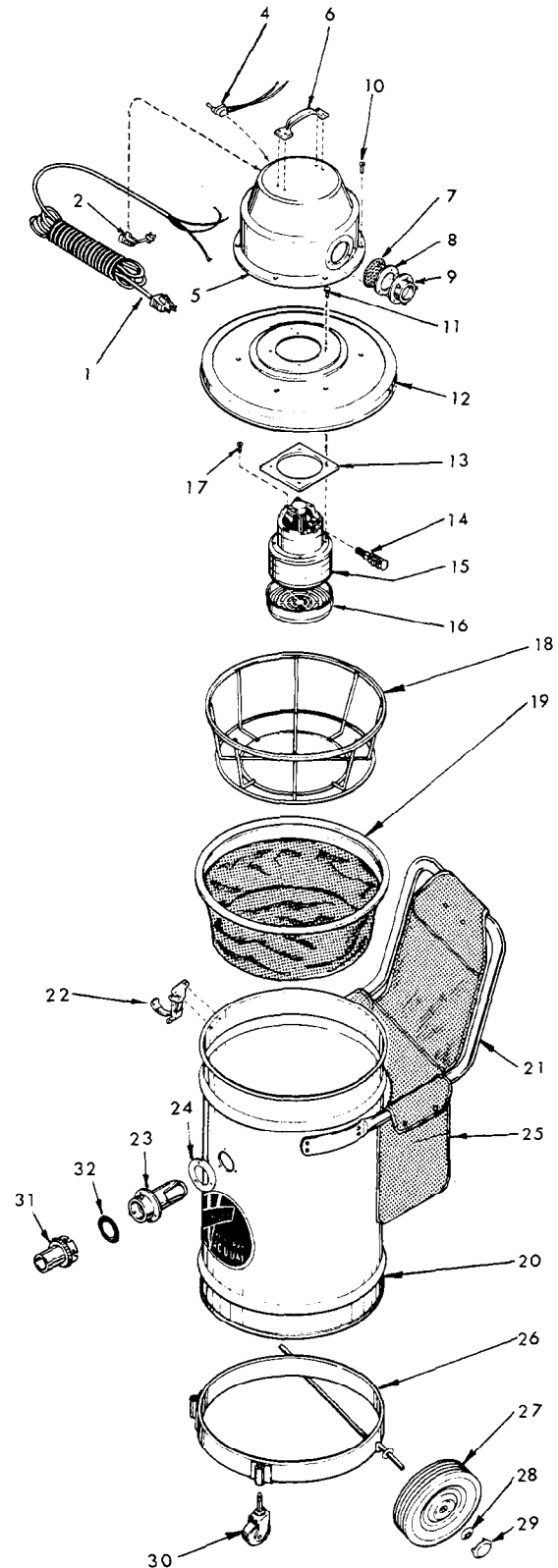
Catalog No. 8921

Starting
Serial No. **SERIES 1**

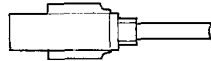
WIRING INSTRUCTIONS

FOR CAT. NO. 8921-2 (230V) VACUUM CLEANER USE:
23-30-0121 MOTOR

FIG.	PART NO.	DESCRIPTION	NO. REQ.
1	22-64-0695	Cord Set	1
2	44-76-0070	Cord Protector	1
4	23-66-0880	Switch	1
5	42-92-0360	Motor Cover Assembly (Includes Fig. Nos. 6 thru 9)	1
6	43-62-0510	Handle	1
7	43-31-0280	Filter	1
8	43-44-0335	Gasket	1
9	42-86-0070	Connector	1
10	06-85-2000	12 x 1/2 Phillips type B Pan Hd. Screw	6
11	06-85-1950	10-24 x 5/8 Hex. Hd. Screw	4
12	42-92-0300	Container Cover	1
13	43-44-0380	Motor Gasket	1
14	—	Carbon Brush and Holder (Set) Refer to bottom of page	1
15	23-30-0120	Straight thru Motor Assembly	1
16	43-54-0240	Motor Guard	1
17	06-81-4209	10-32 x 3/8 Phillips Hd. Tapping Screw	1
18	49-90-0270	Wire Frame	1
19	49-90-0260	Cloth Filter and Gasket	1
20	42-51-0350	Steel Dust Container Assembly (Includes Fig. Nos. 21 thru 24)	1
21	43-62-0520	Push Handle	1
22	42-68-0290	Holddown Clamp	3
23	42-86-0080	Inlet Connector Assembly	1
24	43-44-0370	Gasket	1
25	49-90-0250	Tool Caddy Bag	1
26	43-08-0150	Dolly Ring Body	1
27	45-94-0130	Wheel	2
28	06-57-7505	Pal Nut	2
29	42-52-0220	Hub Cap	2
30	45-94-0140	Swivel Bearing Caster	2
31	49-90-0150	Swivel End Connector (incl. fig. 32)	1
32	43-44-0275	Fitted Gasket	1
33	49-90-0301	Filter Bags (Package of Five) Not Shown	1



22-18-0430



22-18-0530